

# Sbend-520

High Performance Microwave Coax Cable

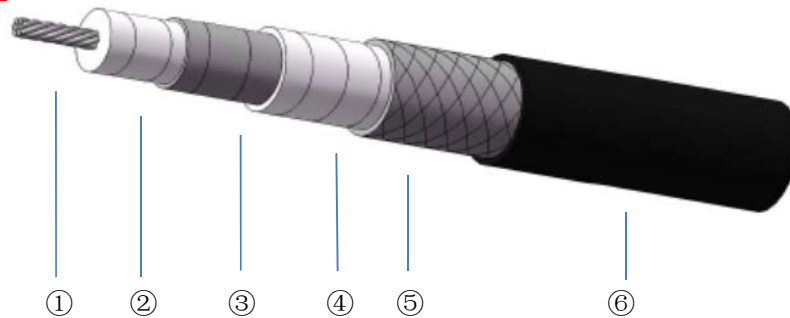
## Product Description

Surperlink Sbend series coaxial cable is an ultra-flexible phase stable cable. It is built with flexible material with rational design. Meanwhile, it has good phase stability. Attenuation and VSWR won't fluctuate rapidly while bending. It is applied to special application condition like narrow space or frequent bending.

## Feature & Benefit

- 83%Vp PTFE Tape+SPC Foil
- Multi-layer protection,excellent stability
- Excellent Softness

## Product Structure

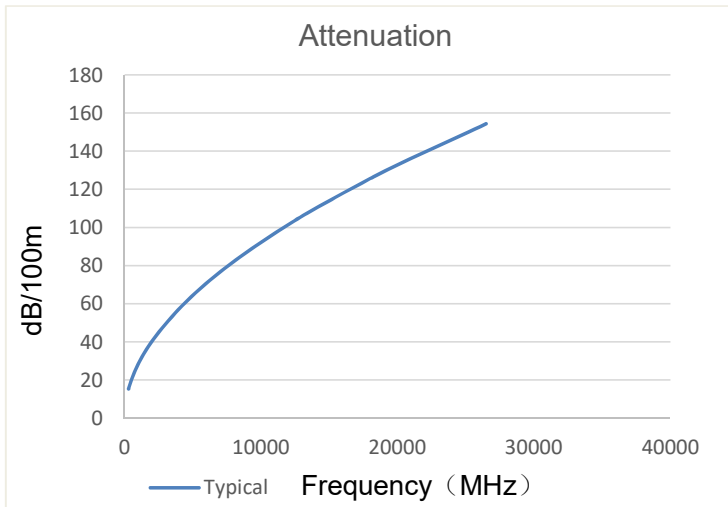


	①Center Conductor	②Dielectric	③Outer Conductor	④Inner Layer	⑤Outer shield	⑥Jacket
Material	SPC	FEP+ LD PTFE	SPC	PTFE	SPC	PTFE
Size (mm)	1.45±0.03	3.85±0.05	4.05±0.05	4.20±0.05	4.60±0.05	5.20±0.10

## Specifications

Impedance	50Ω
Operation Frequency	26.5GHz
Velocity of Propagation	83%
Shielding Effectiveness	90dB
Voltage Withstand	1500V,DC
Phase Stability(Tem)	600PPM(-55~85°C)
Phase Stability(Bending)	±8° 26.5GHz
Amplitude Stability	±0.1dB 26.5GHz
Bend Radius:repeated	50mm
Bend Radius:installation	20mm
Weight	45g/m
Temp, Operating&Installation	-55~200°C
Temp,Storage	-65~200°C

## Attenuation (Typical@25°C VSWR=1.0)



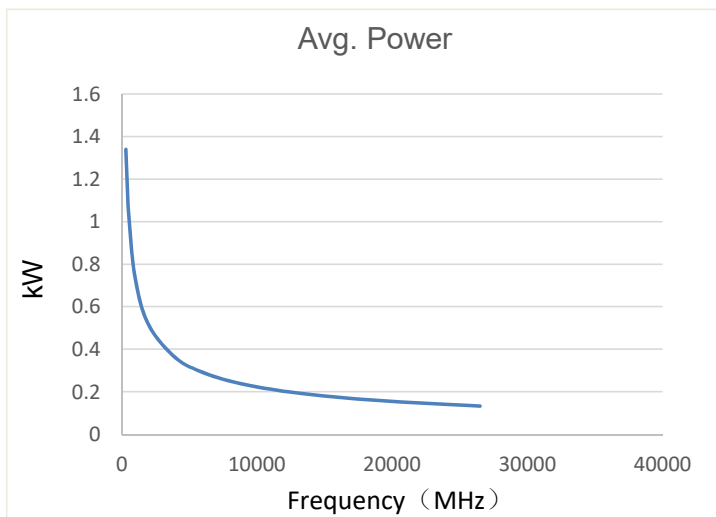
Frequency(MHz)	Attenuation (dB/100m)
300	15.4
500	19.9
1000	28.3
2000	40.2
4000	57.4
6000	70.7
8000	82.1
10000	92.3
12000	101.5
14000	110.1
18000	125.7
20000	132.9
26500	154.4

$$K1 = 0.881100$$

$$K2 = 0.0004150$$

$$\text{Attenuation} = K1 * \sqrt{F} + K2 * F$$

## Power (40°C VSWR=1.0 Sea Level)



Frequency(MHz)	Avg.Power (kW)
300	1.340
500	1.036
1000	0.729
2000	0.512
4000	0.359
6000	0.291
8000	0.251
10000	0.223
12000	0.203
14000	0.187
18000	0.164
20000	0.155
26500	0.134

Ver A-1