

SPO-220-3K

High Performance Microwave Coax Cable

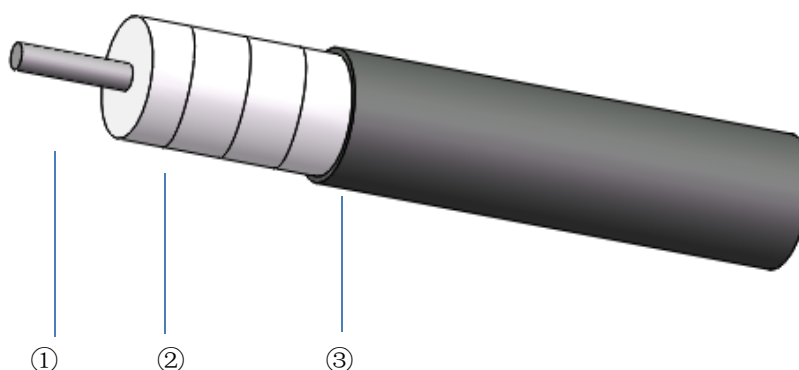
Product Description

Superlink SPO series is an optimized version of traditional semi-rigid cable. It offers a lower loss, less weight and wider temperature range due to it adopts advanced PTFE wrapped dielectric to replace the solid PTFE dielectric. Meanwhile it has superior shielding effectiveness and corrosion resistance. It is applied to interconnection between cards, satellite communication, feed network, etc.

Feature & Benefit

- LD PTFE Tape
- Ultra low loss,excellent size stable vs.temp

Product Structure

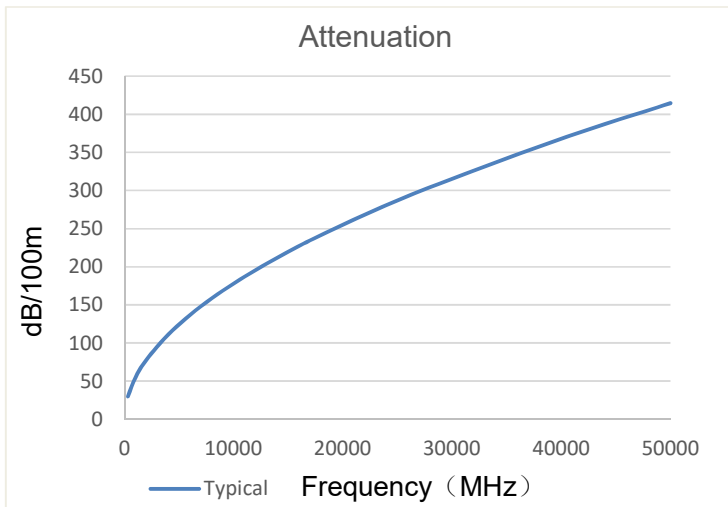


	①Center Conductor	②Dielectric	③Outer Conductor
Material	SPC	LD PTFE	Seamless Copper Tube Tri-metal Plating
Size (mm)	0.56±0.03	1.68±0.05	2.20±0.05

Specifications

Impedance	50Ω
Operation Frequency	50GHz
Velocity of Propagation	76%
Shielding Effectiveness	165dB
Voltage Withstand	600V,DC
Bend Radius:installation	7mm
Weight	19g/m
Temp, Operating&Installation	-55~250℃
Temp,Storage	-65~250℃

Attenuation (Typical@25°C VSWR=1.0)



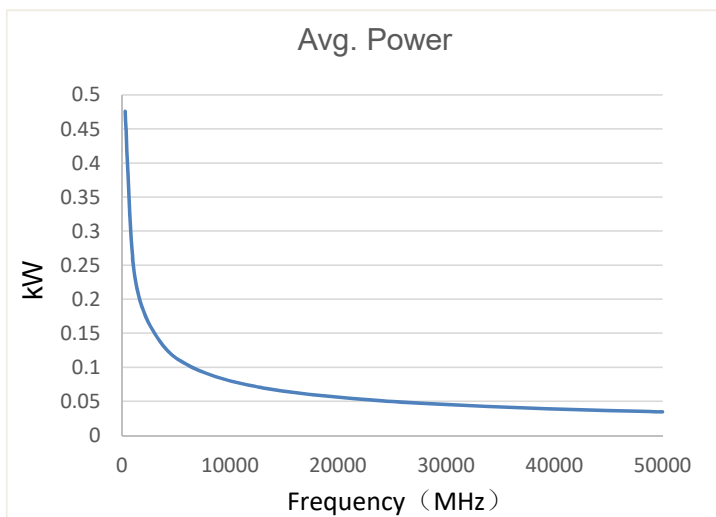
Frequency(MHz)	Attenuation (dB/100m)
300	30.0
1000	55.0
2000	78.2
4000	111.3
6000	136.9
8000	158.7
10000	178.1
12000	195.7
14000	212.0
18000	241.7
26500	296.0
40000	368.0
50000	414.6

$$K1= 1.722000$$

$$K2= 0.000590$$

$$\text{Attenuation}=K1*\sqrt{F}+K2*F$$

Power (40°C VSWR=1.0 Sea Level)



Frequency(MHz)	Avg.Power (kW)
300	0.476
1000	0.259
2000	0.183
4000	0.128
6000	0.104
8000	0.090
10000	0.080
12000	0.073
14000	0.067
18000	0.059
26500	0.048
40000	0.039
50000	0.034

Ver A-1