

SPB-370

High Performance Microwave Coax Cable

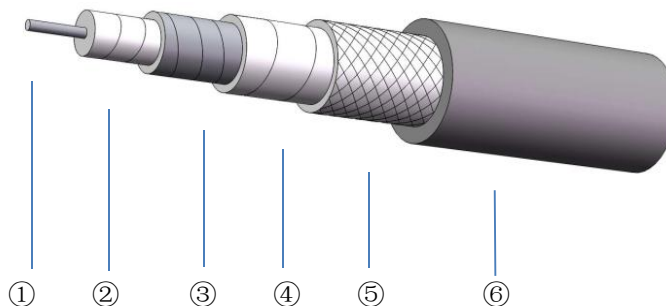
Product Description

Superlink SPB series coaxial cable is constructed with low density PTFE dielectric and silver plated copper foil and has very low loss. It keeps a high phase stability and amplitude stability while bending. Performance hardly vary in broad frequency range. It can be applied to most of harsh conditions which require strict standard like military radar, electronic warfare and airborne equipment.

Feature & Benefit

- 82%Vp PTFE Tape+SPC Foil
- Multi-layer protection,Ultra low loss
- Excellent Temp Phase Stable

Product Structure

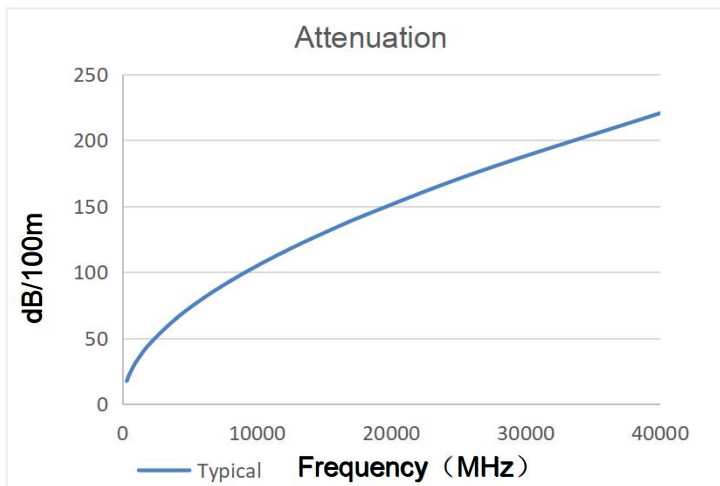


	①Center Conductor	②Dielectric	③Outer Conductor	④Inner Layer	⑤Outer shield	⑥Jacket
Material	SPC	LD PTFE	SPC	PET	SPC	FEP
Size (mm)	1.02±0.03	2.80±0.05	3.00±0.05	3.05±0.05	3.40±0.05	3.70±0.15

Specifications

Impedance	50Ω
Operation Frequency	40GHz
Velocity of Propagation	82%
Shielding Effectiveness	90dB
Voltage Withstand	900V,DC
Time Delay	4.06ns/m
Phase Stability(Bending)	±8° 40GHz
Amplitude Stability	±0.15dB 40GHz
Bend Radius:repeated	37mm
Bend Radius:installation	18mm
Weight	33g/m
Temp, Operating&Installation	-55~165°C
Temp,Storage	-65~165°C

Attenuation (Typical@25°C VSWR=1.0)



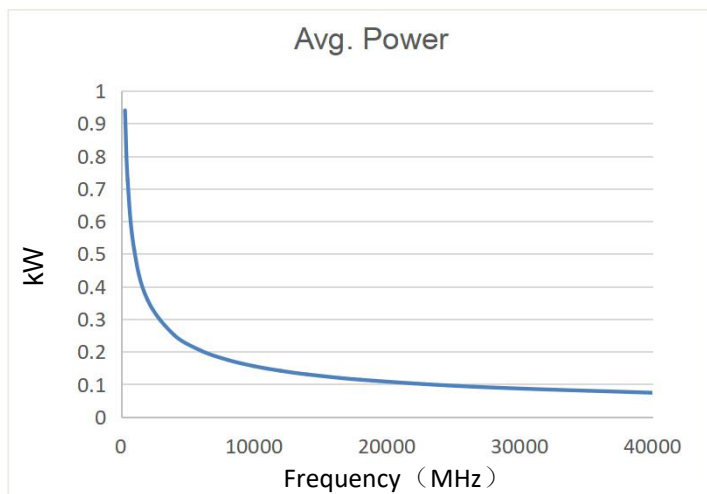
Frequency(MHz)	Attenuation (dB/100m)
300	17.3
500	22.4
1000	31.9
2000	45.5
4000	64.9
6000	80.1
8000	93.1
10000	104.7
12000	115.3
14000	125.1
18000	143.0
26500	176.1
40000	220.5

$$K1=1.0994853$$

$$K2=0.0006019$$

$$\text{Attenuation}=K1 \cdot \sqrt{F}+K2 \cdot F$$

Power (40°C VSWR=1.0 Sea Level)



Frequency(MHz)	Avg.Power (kW)
300	0.940
500	0.726
1000	0.511
2000	0.359
4000	0.251
6000	0.203
8000	0.175
10000	0.156
12000	0.141
14000	0.130
18000	0.114
26500	0.093
40000	0.074

Ver A-1