

# SPB-360

High Performance Microwave Coax Cable

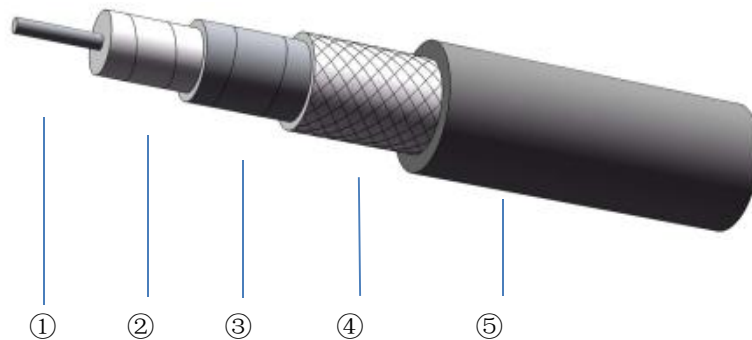
## Product Description

Superlink SPB series coaxial cable is constructed with low density PTFE dielectric and silver plated copper foil and has very low loss. It keeps a high phase stability and amplitude stability while bending. Performance hardly vary in broad frequency range. It can be applied to most of harsh conditions which require strict standard like military radar, electronic warfare and airborne equipment.

## Feature & Benefit

- 82%Vp PTFE+SPC Foil
- Low Loss
- Equivalent to CNX3507
- Replacce to HF130,UFB142

## Product Structure



	①Center Conductor	②Dielectric	③Outer Conductor	④Outer shield	⑤Jacket
Material	SPC	LD PTFE	SPC	SPC	FEP
Size (mm)	0.91±0.03	2.50±0.05	2.70±0.05	3.16±0.05	3.60±0.10

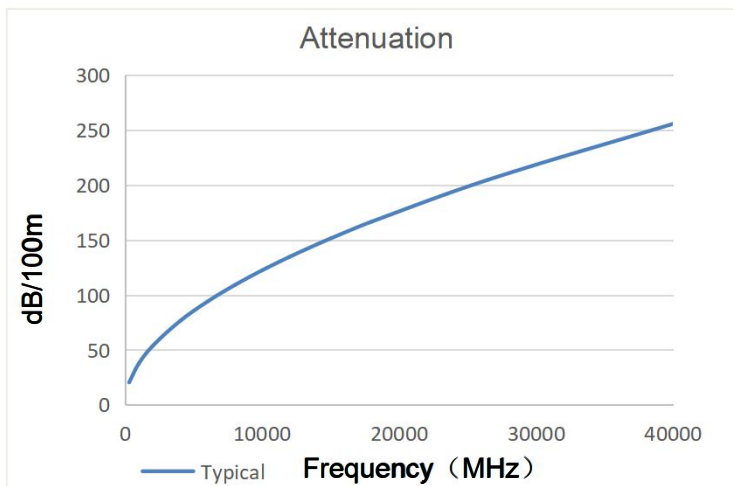
## Specifications

Impedance	50Ω
Operation Frequency	40GHz
Velocity of Propagation	82%
Shielding Effectiveness	90dB
Voltage Withstand	900V,DC
Time Delay	4.07ns/m
Phase Stability(Bending)	±8° 40GHz
Phase Stability(Tem)	600PPM (-55~85℃)
Amplitude Stability	±0.15dB 40GHz
Bend Radius:repeated	36mm
Bend Radius:installation	18mm
Weight	33g/m
Temp, Operating&Installation	-55~165℃
Temp,Storage	-65~165℃

The rights of technical information provided on the sheet belongs to Superlink.Contents cannot be provided to other third-companies without permission.

Shenzhen Superlink Technology Co.,Ltd  
 Website: www.slkcorp.com  
 Tel: +86 755-89814648

## Attenuation (Typical@25°C VSWR=1.0)



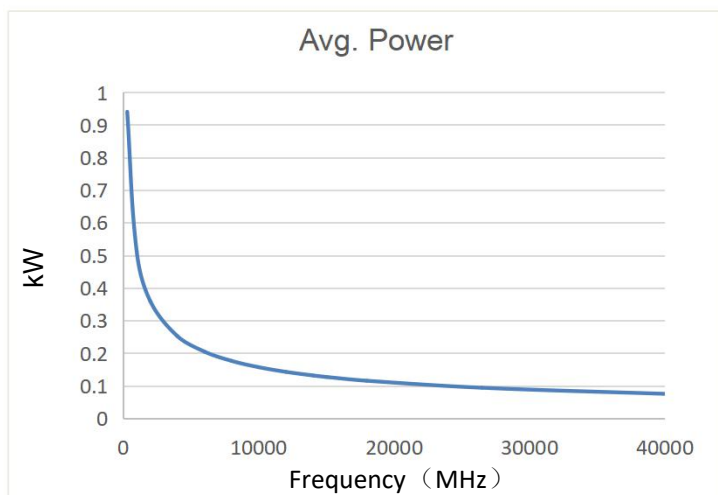
Frequency(MHz)	Attenuation (dB/100m)
300	20.403
1000	37.500
2000	53.356
4000	76.101
6000	93.809
8000	108.911
10000	122.347
12000	134.599
14000	145.955
15000	151.358
18000	166.667
26500	204.788
40000	255.694

$$K1= 1.168470$$

$$K2= 0.000550$$

$$\text{Attenuation}=K1* \sqrt{F}+K2*F$$

## Power (40°C VSWR=1.0 Sea Level)



Frequency(MHz)	Avg.Power (kW)
300	0.940
1000	0.511
2000	0.359
4000	0.252
6000	0.204
8000	0.176
10000	0.157
12000	0.142
14000	0.131
15000	0.127
18000	0.115
26500	0.094
40000	0.075

Ver A-1