

SPB-1200

High Performance Microwave Coax Cable

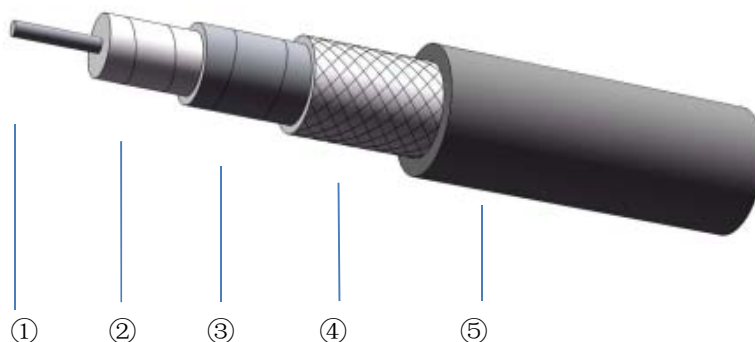
Product Description

Superlink SPB series coaxial cable is constructed with low density PTFE dielectric and silver plated copper foil and has very low loss. It keeps a high phase stability and amplitude stability while bending. Performance hardly vary in broad frequency range. It can be applied to most of harsh conditions which require strict standard like military radar, electronic warfare and airborne equipment.

Feature & Benefit

- 83%Vp PTFE Tape+SPC Foil
- Ultra Low Loss,Excellent Temp Phase Stable

Product Structure

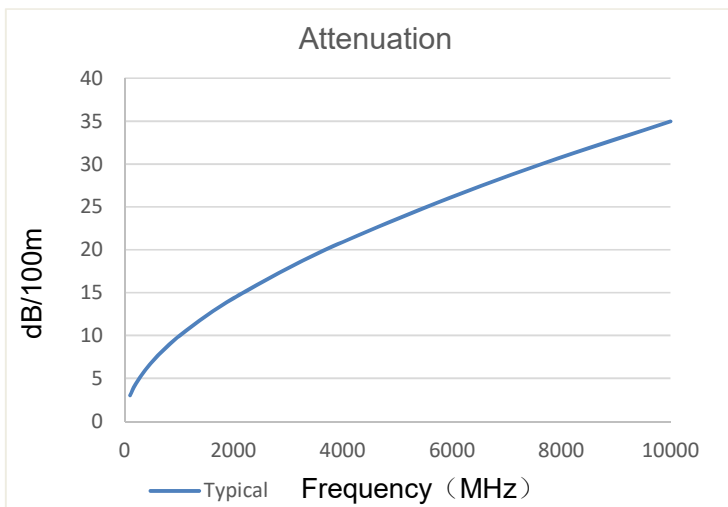


	①Center Conductor	②Dielectric	③Outer Conductor	④Outer shield	⑤Jacket
Material	SPC	LD PTFE	SPC	SPC	FEP
Size (mm)	3.80±0.03	10.40±0.10	10.78±0.15	11.35±0.20	12.00±0.20

Specifications

Impedance	50Ω
Operation Frequency	10GHz
Velocity of Propagation	83%
Shielding Effectiveness	90dB
Voltage Withstand	5000V,DC
Time Delay	4.02ns/m
Phase Stability(Bending)	±5° 10GHz
Phase Stability(Tem)	600PPM (-55~85℃)
Amplitude Stability	±0.05dB 10GHz
Bend Radius:repeated	110mm
Bend Radius:installation	60mm
Weight	280g/m
Temp, Operating&Installation	-55~165℃
Temp, Storage	-65~165℃

Attenuation (Typical@25°C VSWR=1.0)



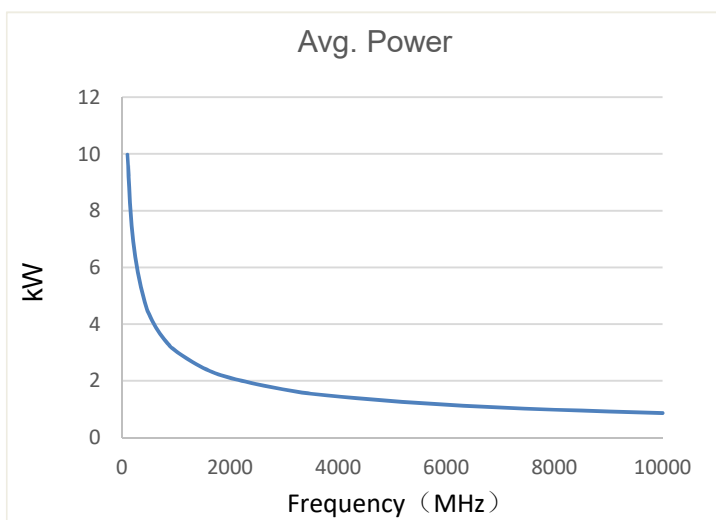
Frequency(MHz)	Attenuation (dB/100m)
100	3.0
200	4.3
400	6.2
600	7.6
800	8.9
1000	9.9
1500	12.3
2000	14.4
3000	17.9
4000	20.9
6000	26.2
8000	30.8
10000	35.0

$$K1= 0.298515$$

$$K2= 0.000510$$

$$\text{Attenuation}=K1*\sqrt{F}+K2*F$$

Power (40°C VSWR=1.0 Sea Level)



Frequency(MHz)	Avg.Power (kW)
100	9.978
200	7.007
400	4.907
600	3.977
800	3.423
1000	3.045
1500	2.458
2000	2.108
3000	1.694
4000	1.448
6000	1.157
8000	0.984
10000	0.867

Ver A-1