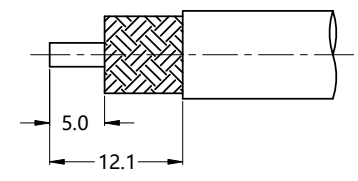


REV.	DESCRIPTION	ECN NO.	NAME	DATE
0	FIRST EDITION	N/A	Liu	2021-08-10

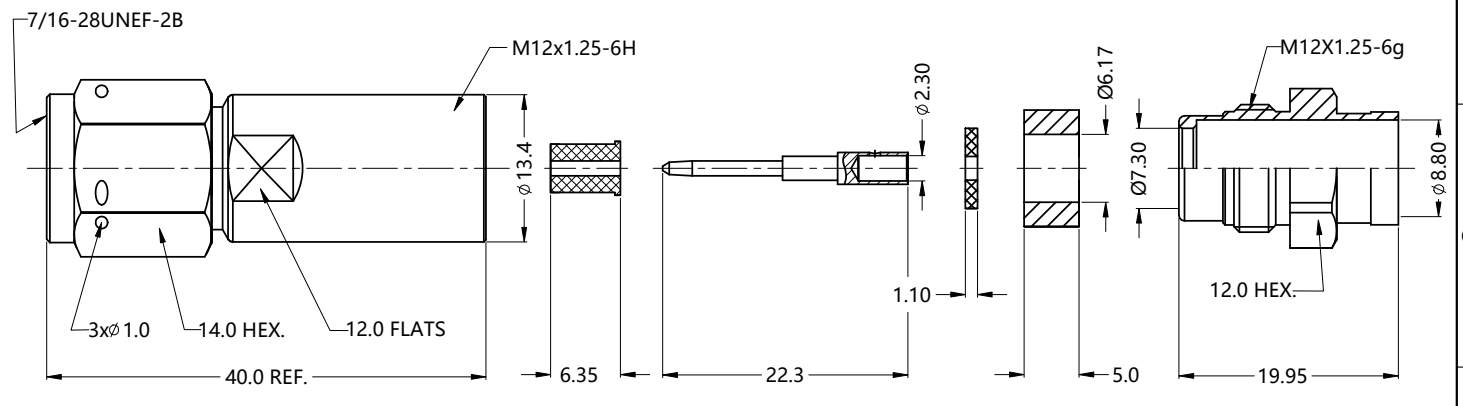


ALL PARTS MUST MEET TO RoHS REQUIREMENTS

REMARKS:
 1.ADDS SIZE:14.25mm
 2.CONTACT PIN TO SOLDER



RECOMMENDED CABLE STRIPPING DIM'S



MATERIALS AND PLATING		UNIT: MICRO-INCHES
PART NAME	MATERIALS	PLATING
BODY/SHELL/ BARREL	STAINLESS STEEL 316L	PASSIVATION
INSULATOR	PTFE ASTM-D-1710	N/A
CONTACT PIN	BRASS	GOLD 50 u"/NICKEL/COPPER
RING	BRASS	GOLD 10 u"/NICKEL/COPPER
GASKET	SILICONE	RED

ELECTRICAL CHARACTERISTICS	
IMPEDANCE	50 Ω
VOLTAGE RATING	500V(rms)
FREQUENCY RANGE	0 ~ 18 GHz
DIELECTRIC WITHSTANDING VOLTAGE	>750 V
CONTACT RESISTANCE	CENTER CONTACT
	OUTER CONTACT
INSULATION RESISTANCE	>5000MΩ
INSERTION LOSS	0.1X√F(GHZ) dB
VSWR	<1.35
3RD INTERMODULATION	N/A

MECHANICAL CHARACTERISTICS	
FORCE TO ENGAGE AND DISENGAGE	N/A
CENTER CONTACT RETENTION FORCE	> 6 lbs
RECOMMENDED COUPLING TORQUE	8-12 in-lbs
COUPLING NUT RETENTION FORCE	> 100 lbs
DURABILITY	> 500cycles

ENVIRONMENTAL PARAMETER	
TEMPERATURE RANGE	-40 °C ~ +125 °C
VIBRATION	US MIL- STD 202, Meth. 204,Cond. B
SHOCK	US MIL- STD 202, Meth. 213,Cond. I
CORROSION	US MIL- STD 202, Meth. 101,Cond. B
RELATIVE HUMIDITY	MIL- STD 202G, Meth. 106

* CUSTOMER OUTLINE DRAWING

UNLESS OTHERWISE SPECIFIED:
 1) EDGES : C0.15 MAX ;
 2) REMOVE ALL BURRS ;
 3) SURFACE ROUGHNESS : Ra1.6 ;
 4) UNITS : mm ;
 5) DIMENSIONS TOLERANCES
 DECIMALS : .x ±0.3 .xx ±0.2 .xxx±0.1;
 ANGLES : ± 5°.

THIRD ANGLE PROJECTION	
APPROVED :	CUSTOMER P/N :
CHECKED :	SCALE :
DRAWING :	DATE : 2021-08-10
PAGE : 1/1	

SLK
 SUPERLINK

TITLE : TNC MALE S/T CLAMP FOR MG-300-LSLT CABLE ,50Ω

DRAWING NO. : 5TCM14S-A610-001

COMPANY WEBSITE : www.slkcorp.com

CUSTOMER OUTLINE DRAWING