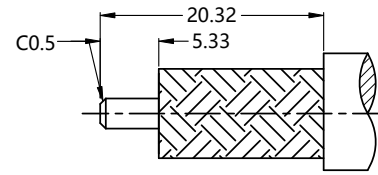


REV.	DESCRIPTION	ECN NO.	NAME	DATE
0-2	Add "INSTRUCTION"	N/A	Dong	2014-05-05
0-3	Add "INSTRUCTION"	N/A	Dong	2016-04-26
4	REPLACE FRAME	N/A	Kevin.Li	2020-06-18
5	UPDATE DRAWING	N/A	HYH	2021-07-09

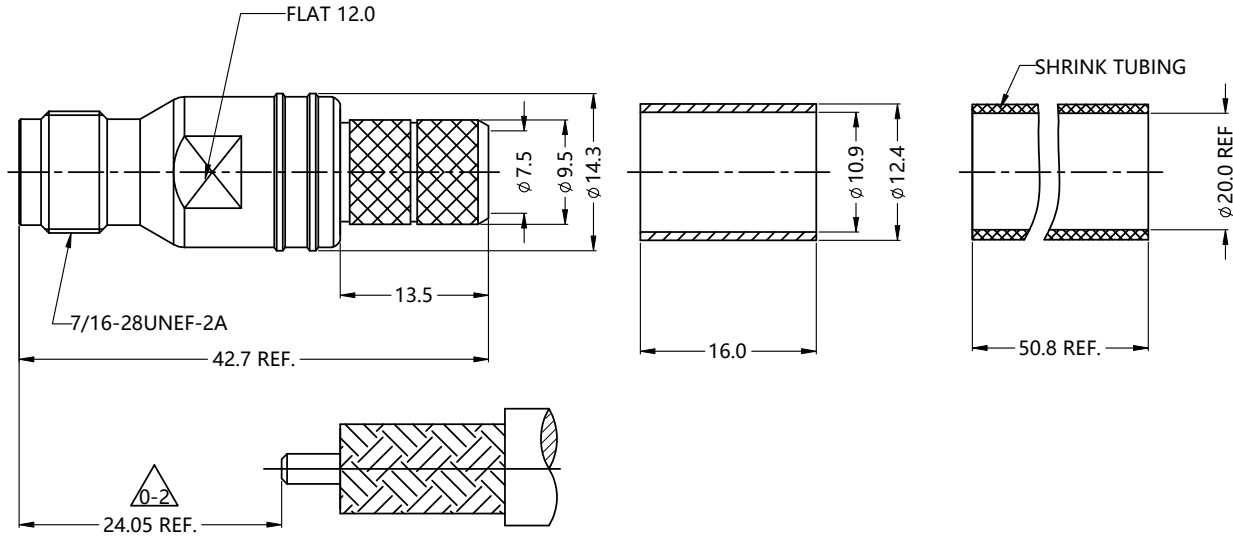


ALL PARTS MUST MEET TO RoHS REQUIREMENTS

REMARKS:
 1. CRIMPED FERRULE HEX. CRIMP SIZE .429"
 2. CONTACT PIN TO CAPTIVE



RECOMMENDED CABLE STRIPPING DIM'S



MATERIALS AND PLATING		UNIT: MICRO-INCHES
PART NAME	MATERIALS	PLATING
BODY	BRASS	ALBALOY 80u" / COPPER
INSULATOR	PTFE ASTM-D-1710	N/A
CONTACT PIN	PHOSPHOR-BRONZE	GOLD 50u" / NICKEL / COPPER
BARREL	BRASS	ALBALOY 80u" / COPPER

ELECTRICAL CHARACTERISTICS	
IMPEDANCE	50 Ω
VOLTAGE RATING	750V(rms)
FREQUENCY RANGE	0 ~ 6GHz
DIELECTRIC WITHSTANDING VOLTAGE	> 1000V
CONTACT RESISTANCE	CENTER CONTACT < 1.5 mΩ
	OUTER CONTACT < 0.2 mΩ
INSULATION RESISTANCE	> 5000MΩ
INSERTION LOSS	ACCORDING AS THE CABLE
VSWR	< 1.3
3RD INTERMODULATION	N/A

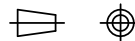
MECHANICAL CHARACTERISTICS	
FORCE TO ENGAGE AND DISENGAGE	N/A
CENTER CONTACT RETENTION FORCE	> 6 lbs
RECOMMENDED COUPLING TORQUE	N/A
COUPLING NUT RETENTION FORCE	N/A
DURABILITY	> 500cycles

ENVIRONMENTAL PARAMETER	
TEMPERATURE RANGE	-55°C - +125°C

* CUSTOMER OUTLINE DRAWING

UNLESS OTHERWISE SPECIFIED:
 1) EDGES : C0.15 MAX ;
 2) REMOVE ALL BURRS ;
 3) SURFACE ROUGHNESS : Ra1.6 ;
 4) UNITS : mm ;
 5) DIMENSIONS TOLERANCES
 DECIMALS : .x ±0.3 .xx ±0.2 .xxx ±0.1 ;
 ANGLES : ± 5°.

THIRD ANGLE PROJECTION



APPROVED :

CUSTOMER P/N :

CHECKED :

SCALE :

DRAWING :

DATE : 2021-07-09

PAGE : 1/1



TITLE : TNC FEMALE S/T CRIMP FOR LMR 400 CABLE, 50Ω

DRAWING NO. : 5TCF11S-A11-006

COMPANY WEBSITE : www.slkcorp.com

CUSTOMER OUTLINE DRAWING