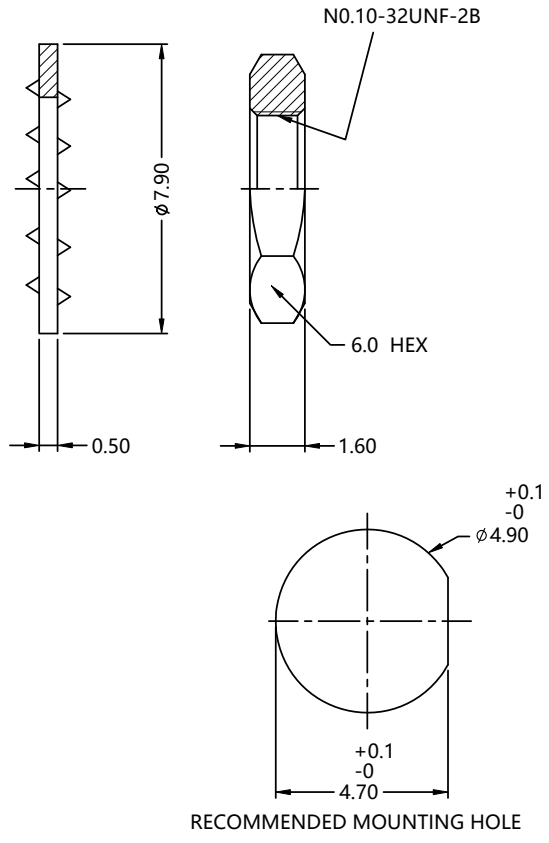
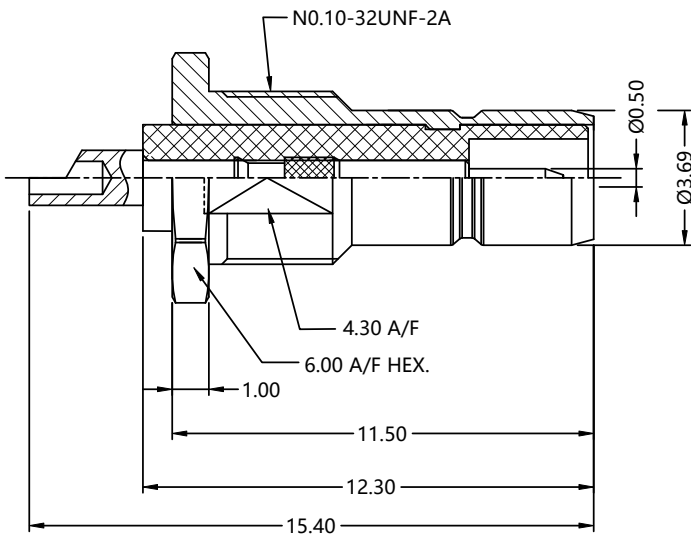


| REV. | DESCRIPTION | ECN NO. | NAME | DATE | REMAKE: | RoHS | ALL PARTS MUST MEET TO RoHS REQUIREMENTS |
|------|--------------------|---------|------|------------|-----------------------------|------|--|
| 0 | FIRST EDITION | N/A | Liu | 2021-05-25 | 1.PLATING THICKNESS MINIMUM | | |
| 1 | UPDATE THE DRAWING | N/A | Liu | 2021-06-07 | | | |
| 2 | UPDATE THE DRAWING | N/A | Liu | 2021-06-23 | | | |



| MATERIALS AND PLATING | | UNIT: MICRO-INCHES |
|-----------------------|------------------|-------------------------------|
| PART NAME | MATERIALS | PLATING |
| BODY/NUT | BRASS | GOLD 1 u"/NICKEL100 u"/COPPER |
| INSULATOR | PTFE ASTM-D-1710 | N/A |
| CONTACT PIN | BRASS | GOLD 3 u"/NICKEL100 u"/COPPER |
| WASHER | PHOSPHOR BRONZE | GOLD 1 u"/NICKEL100 u"/COPPER |

| ELECTRICAL CHARACTERISTICS | |
|---------------------------------|-------------------------|
| IMPEDANCE | 50 Ω |
| VOLTAGE RATING | 250 V(rms) |
| FREQUENCY RANGE | 0 ~ 4 GHz |
| DIELECTRIC WITHSTANDING VOLTAGE | > 750 V |
| CONTACT RESISTANCE | CENTER CONTACT < 6.0 mΩ |
| | OUTER CONTACT < 1.0 mΩ |
| INSULATION RESISTANCE | > 1000 MΩ |
| INSERTION LOSS | < 0.05√F(GHz) dB |
| RF-LEAKAGE | N/A |
| VSWR | < 1.30 @ DC~4GHz |
| 3RD INTERMODULATION | N/A |

| MECHANICAL CHARACTERISTICS | |
|--------------------------------|--------------|
| FORCE TO ENGAGE AND DISENGAGE | N/A |
| CENTER CONTACT RETENTION FORCE | > 4 lbs |
| RECOMMENDED COUPLING TORQUE | N/A |
| COUPLING NUT RETENTION FORCE | N/A |
| DURABILITY | > 500 cycles |

| ENVIRONMENTAL PARAMETER | |
|-------------------------|------------------|
| TEMPERATURE RANGE | -65 °C ~ +165 °C |

CUSTOMER OUTLINE DRAWING

UNLESS OTHERWISE SPECIFIED:
 1) EDGES : C0.15 MAX ;
 2) REMOVE ALL BURRS ;
 3) SURFACE ROUGHNESS : Ra1.6 ;
 4) UNITS : mm ;
 5) DIMENSIONS TOLERANCES
 DECIMALS : .x ±0.2 .xx ±0.1 .xxx±0.05;
 ANGLES : ± 5°.

| | |
|------------------------|-------------------------------------|
| THIRD ANGLE PROJECTION | |
| APPROVED : | CUSTOMER P/N : 1-1337479-0 Rev.C |
| CHECKED : | SCALE : 3 : 1 |
| DRAWING : | DATE : 2021-06-23 |
| PAGE : 1/1 | |

TITLE : SMB BULKHEAD SOCKET REAR MOUNT 50Ω
 DRAWING NO. : 5MBF11S-A00-002
 COMPANY WEBSITE : www.slkcorp.com

CUSTOMER OUTLINE DRAWING