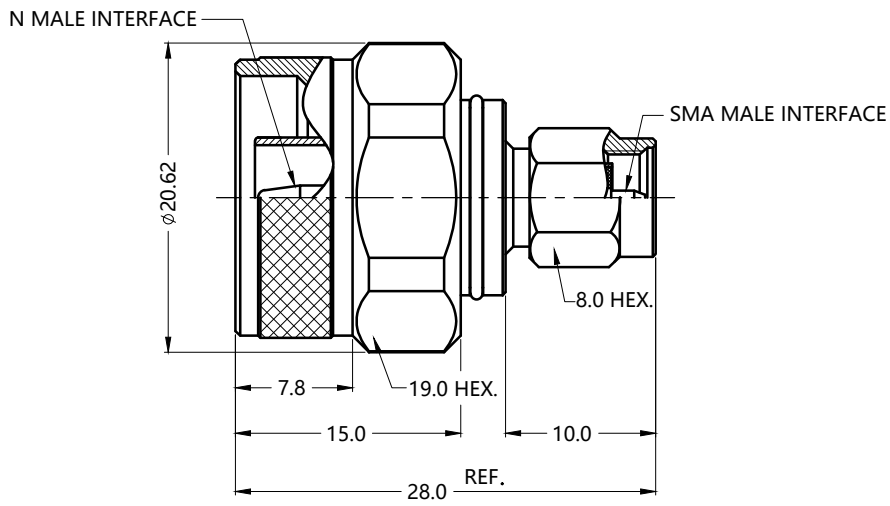


REV.	DESCRIPTION	ECN NO.	NAME	DATE
0	FIRST EDITION	N/A	SYH	2020-06-03



ALL PARTS MUST MEET TO RoHS REQUIREMENTS



MATERIALS AND PLATING		UNIT: MICRO-INCHES
PART NAME	MATERIALS	PLATING
BODY	BRASS C3604	PL.ALBALOY/COPPER
INSULATOR	PTFE MIL-P-19468	N/A
CONTACT PIN	BeCu C17300	PL.GOLD/NICKEL/COPPER
GASKET	SILICONE	RED
SHELL	BRASS C3604	PL.ALBALOY/COPPER

ELECTRICAL CHARACTERISTICS	
IMPEDANCE	50 Ω
VOLTAGE RATING	335 V(rms)
FREQUENCY RANGE	DC ~ 26.5 GHz
DIELECTRIC WITHSTANDING VOLTAGE	>750 V
CONTACT RESISTANCE	CENTER CONTACT <3.0 mΩ
	OUTER CONTACT <2.0mΩ
INSULATION RESISTANCE	>1000 MΩ
INSERTION LOSS	<0.12 $\times \sqrt{F(\text{GHz})}$ dB
VSWR	<1.20 @DC ~ 12GHz
	<1.30 @DC ~ 18GHz
	<1.40 @DC ~ 26.5GHz
3RD INTERMODULATION	N/A

MECHANICAL CHARACTERISTICS	
FORCE TO ENGAGE AND DISENGAGE	N/A
CENTER CONTACT RETENTION FORCE	>6 lbs
RECOMMENDED COUPLING TORQUE	9 ~ 14 in-lbs (N MALE)
	7 ~ 10 in-lbs(SMA MALE)
COUPLING NUT RETENTION FORCE	>100 lbs (N MALE)
	>60 lbs (SMA MALE)
DURABILITY	> 500cycles

ENVIRONMENTAL PARAMETER	
TEMPERATURE RANGE	-40 °C ~ +125 °C

*** CUSTOMER OUTLINE DRAWING**

UNLESS OTHERWISE SPECIFIED:
 1) EDGES : C0.15 MAX ;
 2) REMOVE ALL BURRS ;
 3) SURFACE ROUGHNESS : Ra1.6 ;
 4) UNITS : mm ;
 5) DIMENSIONS TOLERANCES
 DECIMALS : .x ±0.3 .xx ±0.2 .xxx±0.1;
 ANGLES : ± 5°.

THIRD ANGLE PROJECTION		
APPROVED :	CUSTOMER P/N :	-
CHECKED :	SCALE :	1 : 1
DRAWING :	DATE :	2020-06-03
	PAGE :	1/1

SLK
SUPERLINK

TITLE :	N MALE TO SMA MALE 50 Ohm ADAPTER
DRAWING NO. :	5MAM06S-NCM-007
COMPANY WEBSITE :	www.slkcorp.com

CUSTOMER OUTLINE DRAWING