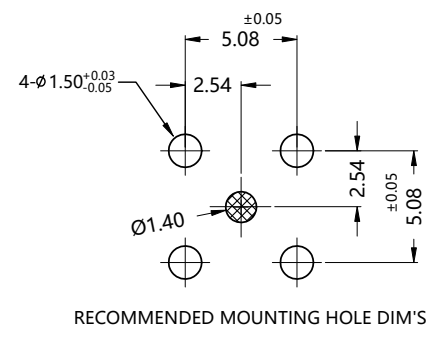
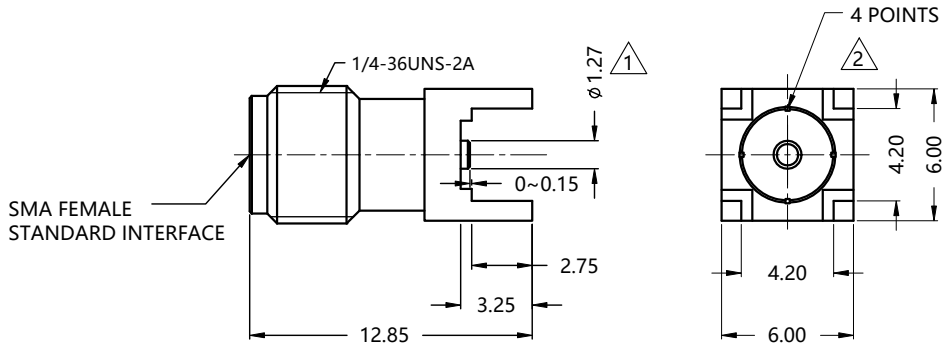


REV.	DESCRIPTION	ECN NO.	NAME	DATE
0	FIRST EDITION	N/A	YWD	2021-02-27
1	ADD THE DIMENSION	N/A	YWD	2021-03-02
2	UPDATED THE DRAWING	N/A	YWD	2021-03-15



ALL PARTS MUST MEET TO RoHS REQUIREMENTS

A  
B  
C  
D  
E  
F  
G  
H



MATERIALS AND PLATING		UNIT: MICRO-INCHES
PART NAME	MATERIALS	PLATING
BODY	BRASS C3604	GOLD 3u"/NICKEL/COPPER
INSULATOR	PTFE ASTM-D-1710	N/A
CONTACT PIN	BERYLLIUM COPPER $\triangle 2$	GOLD 10u"/NICKEL/COPPER

ELECTRICAL CHARACTERISTICS	
IMPEDANCE	50 $\Omega$
VOLTAGE RATING	335 V(rms)
FREQUENCY RANGE	DC ~ 18 GHz
DIELECTRIC WITHSTANDING VOLTAGE	> 1000 V
CONTACT RESISTANCE	CENTER CONTACT < 3.0 m $\Omega$
	OUTER CONTACT < 2.0 m $\Omega$
INSULATION RESISTANCE	> 5000 M $\Omega$
INSERTION LOSS	N/A
VSWR	< 1.05 + .02F(GHz)
3RD INTERMODULATION	N/A

MECHANICAL CHARACTERISTICS	
FORCE TO ENGAGE AND DISENGAGE	N/A
CENTER CONTACT RETENTION FORCE	> 5 lbs
RECOMMENDED COUPLING TORQUE	N/A
COUPLING NUT RETENTION FORCE	N/A
DURABILITY	> 500 cycles

ENVIRONMENTAL PARAMETER	
TEMPERATURE RANGE	-40 $^{\circ}$ C ~ +125 $^{\circ}$ C

CUSTOMER OUTLINE DRAWING

\* CUSTOMER OUTLINE DRAWING

UNLESS OTHERWISE SPECIFIED:  
 1) EDGES : C0.15 MAX ;  
 2) REMOVE ALL BURRS ;  
 3) SURFACE ROUGHNESS : Ra1.6 ;  
 4) UNITS : mm ;  
 5) DIMENSIONS TOLERANCES  
 DECIMALS : .x  $\pm$ 0.3 .xx  $\pm$ 0.2 .xxx  $\pm$ 0.1;  
 ANGLES :  $\pm$  5 $^{\circ}$ .

THIRD ANGLE PROJECTION	
APPROVED :	CUSTOMER P/N :
CHECKED :	SCALE : 1 : 1
DRAWING :	DATE : 2021-03-15
PAGE : 1/1	

TITLE : SMA FEMALE S/T FOR PCB MOUNTING, 50 OHMS  
 DRAWING NO. : 5MAF25S-P41-059  
 COMPANY WEBSITE : www.slkcorp.com