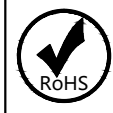
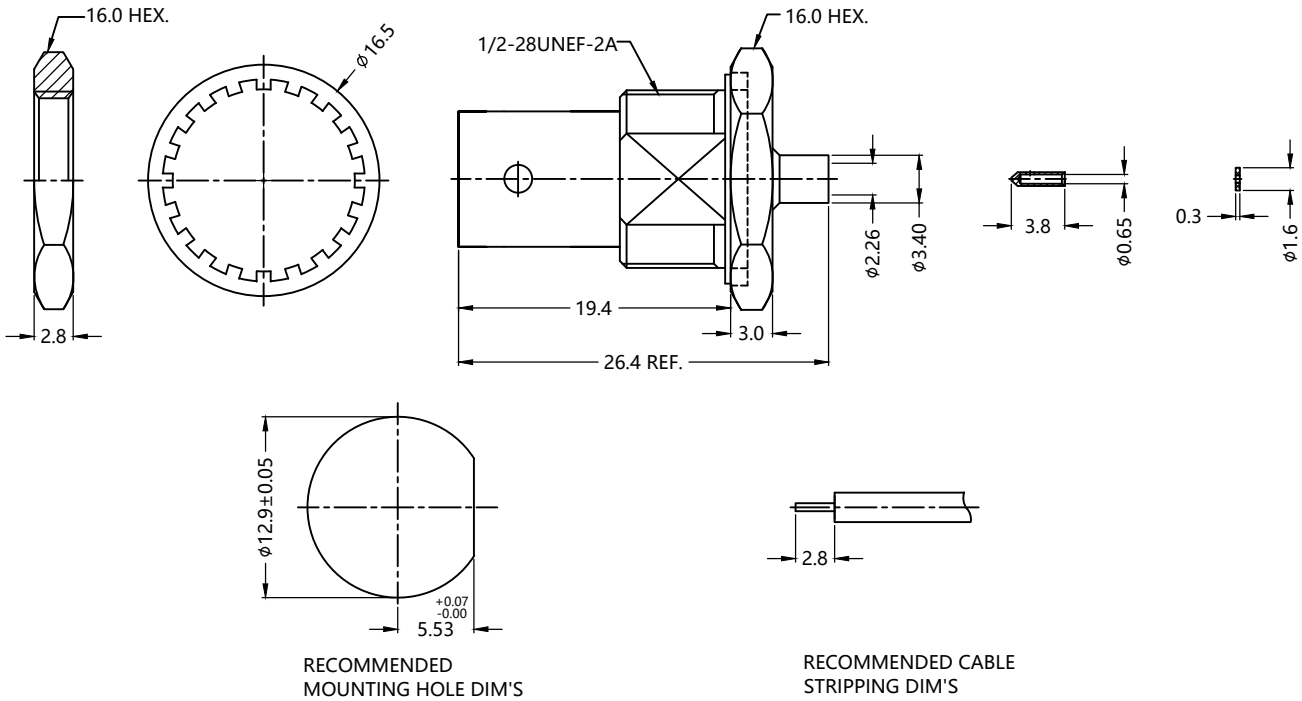


1	2	3	4	5	6
REV.	DESCRIPTION	ECN NO.	NAME	DATE	
0	FIRST EDITION	N/A	SYH	2020-05-13	



ALL PARTS MUST MEET TO RoHS REQUIREMENTS

1. CONTACT PIN TO SOLDER
2. BODY TO SOLDER
3. PANEL THICKNESS: 3.5 MAX.



MATERIALS AND PLATING			ELECTRICAL CHARACTERISTICS	
UNIT: MICRO-INCHES				
PART NAME	MATERIALS	PLATING		
BODY	BRASS C3604	PL.ALBALLOY 100 u"/COPPER OR PL.NICKEL 100 u"/COPPER	IMPEDANCE	50 Ω
INSULATOR 1	PTFE MIL-P-19468	N/A	VOLTAGE RATING	335V(rms)
CONTACT PIN	PHOPSHOR BRONZE C54400 /BRASS C3604	PL.GOLD 5u"/NICKEL/COPPER	FREQUENCY RANGE	DC ~ 12 GHz
NUT	BRASS C3604	PL.NICKEL100μ"/COPPER	DIELECTRIC WITHSTANDING VOLTAGE >500 V	
WASHER	BRONZE	PL.NICKEL100μ"/COPPER	CONTACT RESISTANCE	CENTER CONTACT <3.0 mΩ
GASKET	SILICONE	RED		OUTER CONTACT <2.0 mΩ
			INSULATION RESISTANCE	>5000 MΩ
			INSERTION LOSS	According as the cable
			VSWR	<1.35 @ DC ~ 6GHz
			3RD INTERMODULATION	N/A
MECHANICAL CHARACTERISTICS			ENVIRONMENTAL PARAMETER	
FORCE TO ENGAGE AND DISENGAGE		N/A	TEMPERATURE RANGE	-55 °C~+125 °C
CENTER CONTACT RETENTION FORCE		>6 Lbs	CORROSION	MIL- STD 202, Meth. 101,Cond. B
COUPLING NUT RETENTION FORCE		>60 lbs	VIBRATION	MIL- STD 202, Meth. 204,Cond. B
DURABILITY		>500cycles	SHOCK	MIL- STD 202, Meth. 213,Cond. G

*** CUSTOMER OUTLINE DRAWING**

UNLESS OTHERWISE SPECIFIED:
 1) EDGES : C0.15 MAX ;
 2) REMOVE ALL BURRS ;
 3) SURFACE ROUGHNESS : Ra1.6 ;
 4) UNITS : mm ;
 5) DIMENSIONS TOLERANCES
 DECIMALS : .x ±0.3 .xx ±0.2 .xxx±0.1;
 ANGLES : ± 5°.

THIRD ANGLE PROJECTION 

APPROVED :	CUSTOMER P/N :
CHECKED :	SCALE :
DRAWING :	DATE :
	PAGE : 1/1



TITLE : BNC JACK BULKHEAD FOR .86/RG405 CABLE
 DRAWING NO. : 5BNF355-S01-002
 COMPANY WEBSITE : www.slkcorp.com

CUSTOMER OUTLINE DRAWING